

## 16 port USB CAT5 KVM Switch

### Product Introduction

The KC2116 KVM switch allows access and control up to 16 computers from a single console (keyboard, mouse, and monitor). As many as 512 computers can be controlled from a single keyboard-mouse console by cascading to another 31 additional switches. The KVM switch supports USB connections for the console and computers, RJ-45 connectors and CAT 5e/6 cable are used to link to the computers.

### Product Feature

---

#### Hardware Features

- ◇ 1U Design-Occupies only 1U of the rack space
- ◇ Fit for standard 19" rack mounting
- ◇ Standard RJ-45 connector-Connect to a server or KVM switch via a standard RJ-45 connector with CAT 5e/6 cable

#### Management Way

- ◇ Convenient computer switching via front panel pushbuttons, OSD menu and mouse
- ◇ Auto scan feature for monitoring user-selected computers
- ◇ Broadcast mode--operations simultaneously performed on all selected computers
- ◇ Hot pluggable --add or remove computers without having to power down the switch
- ◇ Quickly select your computer by naming the server or inputting SN number of the server

#### High Resolution

- ◇ Resolution is up to 2048×1536; DDC2B

#### Security

- ◇ Two level password security--only authorized users can view and control computers; up to four users and an administrator with a separate profile for each

#### Cascade Features

- ◇ Directly access and control up to 16 servers with single KC2116
- ◇ By cascading to 31 additional switches, as many as 512 computers can be controlled from single KC2116

#### Wide Compatibility

- ◇ Multi-platform Support-Compatible with Windows, Sun, Unix and Linux
- ◇ Supports server form Lenovo, HUA WEI, HP, IBM and Dell, etc.

## Product image

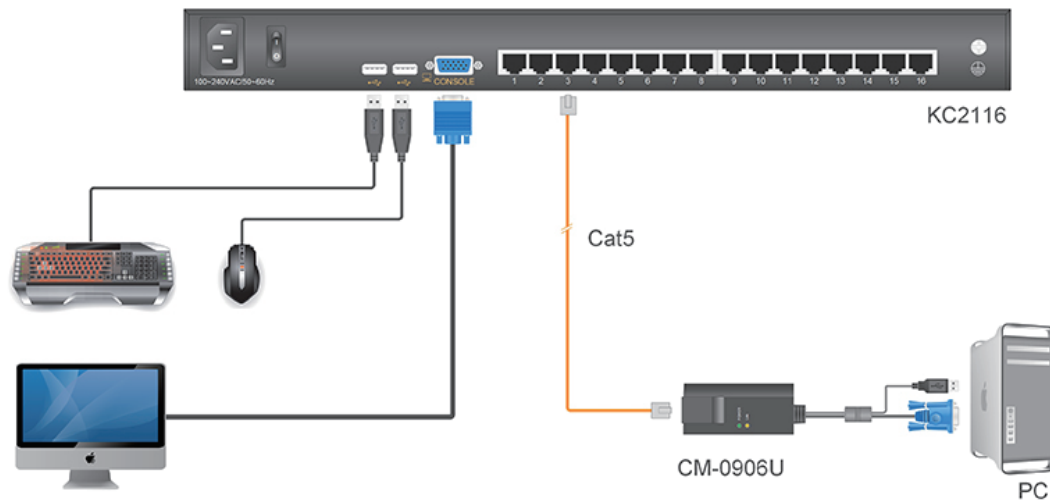
KC2116 back view



KC2116 front view



## Topological Diagram



## Optional Accessories



**Product Model:** KinAn CM-0906P

**Brief Introduction:** CM-0906P is module for CAT5 series, it is used for connecting KVM to PS/2 server, transmitting distance is up to 150m.



**Product Model:** KinAn CM-0906U

**Brief Introduction:** CM-0906U is module for CAT5 series, it is used for connecting KVM to USB server, transmitting distance is up to 150m.

## Specifications

|                             |                        |                                    |                        |
|-----------------------------|------------------------|------------------------------------|------------------------|
| Model                       |                        | KC2116                             |                        |
| Direct computer connections |                        | 16                                 |                        |
| Max computer connections    |                        | 512                                |                        |
| Port Selection              |                        | LED buttons, OSD menu              |                        |
| Connector                   | Console                | Monitor                            | 1*HDB-15 Female(blue)  |
|                             |                        | Keyboard                           |                        |
|                             | Mouse                  | 2 * USB TYPE A                     |                        |
|                             | KVM port (RJ45)        | 16                                 |                        |
| Upgrading switch            |                        | 1* RJ11 Female                     |                        |
| Power                       |                        | 3-Prong AC socket                  |                        |
| Switch                      | Port Selecting         |                                    | 16*buttons             |
|                             | Reset                  |                                    | 1* tuch-button         |
|                             | Upgrading switch       |                                    | 1* pull switch         |
|                             | Power                  |                                    | 1* rocker switch       |
| Indicating LEDs             | Online                 |                                    | 16(green)              |
|                             | Selected               |                                    | 16(orange)             |
|                             | Power                  |                                    | 1(blue)                |
|                             | Cascading/port display |                                    | 2*7- Segment (orange)  |
| I/R Value                   |                        | 100V ~ 240V AC , 50 ~ 60Hz , <1.5A |                        |
| Video Signal                |                        | 2048×1536 ; DDC2B                  |                        |
| Power Consumption           |                        | 5W                                 |                        |
| Emulation                   | Keyboard/Mouse         |                                    | PS/2, USB              |
| Environment Requirements    | Working Temperature    |                                    | 0-40℃                  |
|                             | Store Temperature      |                                    | -20-60℃                |
|                             | Humidity               |                                    | 0-80%RH,Non-condensing |
| Physical Features           | Material               |                                    | Metal                  |
|                             | Weight                 |                                    | 2.7kg                  |
|                             | Dimension              |                                    | 433*171*44.5mm         |